



BINEX SERVICES & SOLUTION SDN BHD (1090180-M)

No. 44, Jalan IM 14/8,
Kawasan Perindustrian Indera Mahkota,
25200 Kuantan, Pahang Darul Makmur, MALAYSIA
Fax: +609 573 8690
Email : info@binexservices.com
GST Number: 000014757888

1" SKID DIAPHRAGM PUMP



Brand	WILDEN
Type Diaphragm Pump	P2 Plastic Pump
Size	1" @ 50mm
Inlet & Outlet	2" x 150# Flange c/w Cam Lock Conn
Accessories	Muffler, 1" Inlet & Outlet Cam Lock Connection with valve.
Air Inlet	3/4" Chicago Coupling
Weight	40kg
Dimensions (L X W X H)	700 mm x 520 mm x 900mm
Maximum Flow Rate:	140 lpm (37 gpm)
Pump Specification	Attached with OEM Datasheet



BINEX SERVICES & SOLUTION SDN BHD (1090180-M)

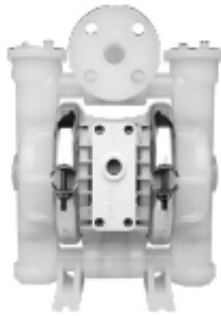
No. 44, Jalan IM 14/8,
 Kawasan Perindustrian Indera Mahkota,
 25200 Kuantan, Pahang Darul Makmur, MALAYSIA
 Fax: +609 573 8690
 Email : info@binexservices.com
 GST Number: 000014757888

Pump Datasheet

SPEC SHEET | **PROFLO**
PROFESSIONAL PUMP TECHNOLOGY

P2 PLASTIC PUMP

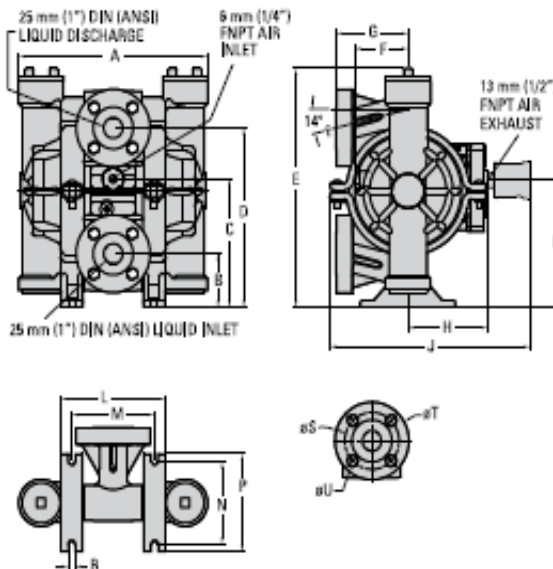
25 mm (1") Pump
Maximum Flow Rate:
140 lpm (37 gpm)



P2 PLASTIC

DIMENSIONAL DRAWING

P2 Plastic



DIMENSIONS

ITEM	METRIC (mm)	STANDARD (inch)
A	277	10.9
B	76	3.0
C	180	7.1
D	249	9.8
E	233	13.1
F	81	3.2
G	107	4.2
H	124	4.9
J	292	11.5
K	180	7.1
L	152	6.0
M	122	4.8
N	114	4.5
P	137	5.4
R	10	0.4
DIN		
S	84 DIA.	3.3 DIA.
T	114 DIA.	4.5 DIA.
U	15 DIA.	0.6 DIA.
ANSI		
S	79 DIA.	3.1 DIA.
T	109 DIA.	4.3 DIA.
U	15 DIA.	0.6 DIA.

PUMP DATA

Specifications:

Ship Weight.....Polypropylene 8 kg (18 lb)
 PVDF 10 kg (23 lb)
 Air Inlet 6 mm (1/4")
 Liquid Inlet 25 mm (1")
 Liquid Outlet 25 mm (1")



BINEX SERVICES & SOLUTION SDN BHD (1090180-M)

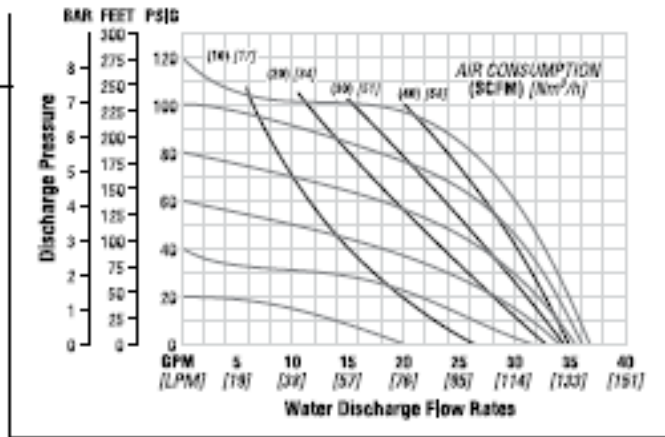
No. 44, Jalan IM 14/8,
Kawasan Perindustrian Indera Mahkota,
25200 Kuantan, Pahang Darul Makmur, MALAYSIA
Fax: +609 573 8690
Email : info@binexservices.com
GST Number: 000014757888

SPEC SHEET **PROFLO** P2 PLASTIC PUMP

PERFORMANCE

P2 PLASTIC RUBBER-FITTED

Max. Flow Rate..... 140 lpm (37 gpm)
Max. Inlet Pressure..... 8.6 bar (125 psig)
Max. Size Solids..... 3.2 mm (1/8")
Max. Suction Lift..... 5.5 m Dry (18.0')
8.8 m Wet (29.0')



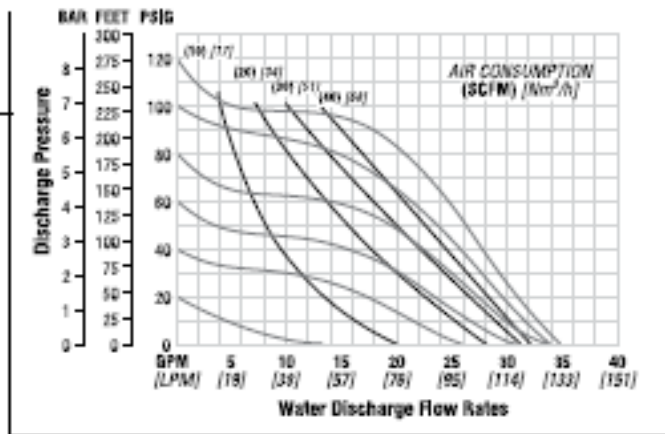
Click button to view Performance Curve →

RUBBER-FITTED

TPE-FITTED

P2 PLASTIC REDUCED-STROKE PTFE-FITTED

Max. Flow Rate..... 132 lpm (35 gpm)
Max. Inlet Pressure..... 8.6 bar (125 psig)
Max. Size Solids..... 3.2 mm (1/8")
Max. Suction Lift..... 3.4 m Dry (11.0')
8.8 m Wet (29.0')



Click button to view Performance Curve →

REDUCED-STROKE PTFE-FITTED

FULL-STROKE PTFE-FITTED

WILDEN

22069 Van Buren Street
Grand Terrace, CA 92313-5607 USA
O: +1 (909) 422-1730 F: +1 (909) 783-3440
www.wildenpump.com

